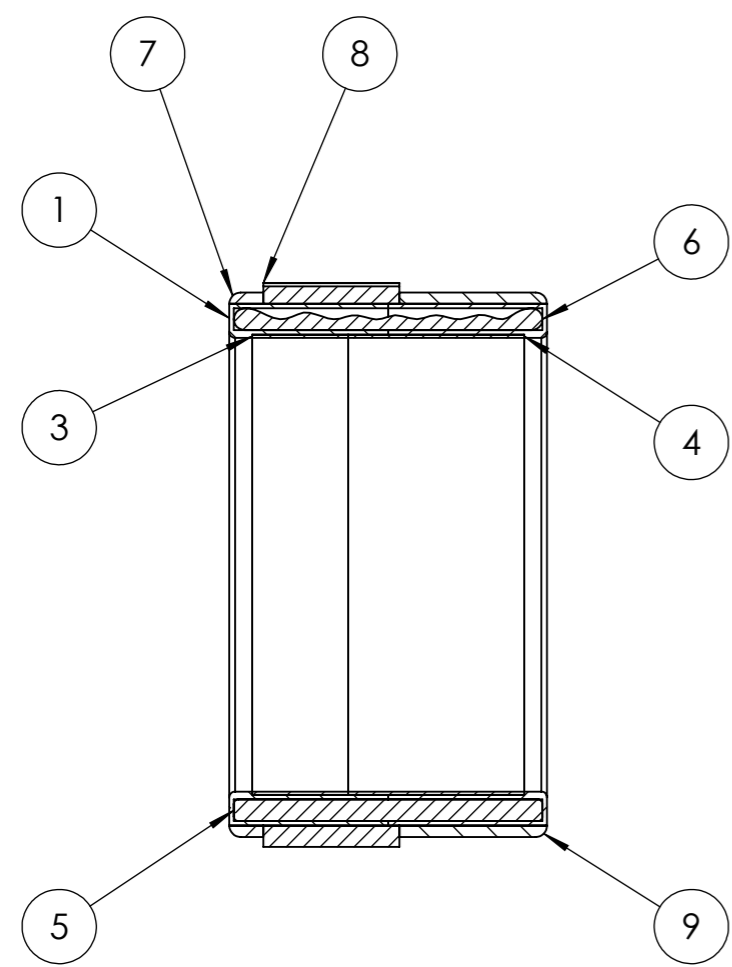
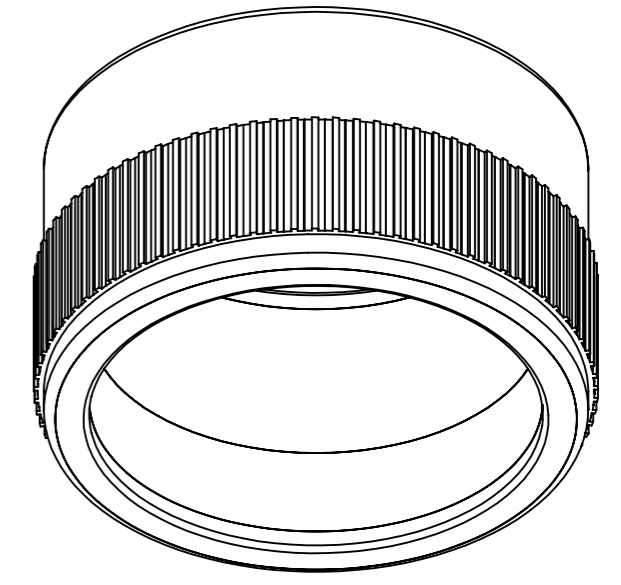
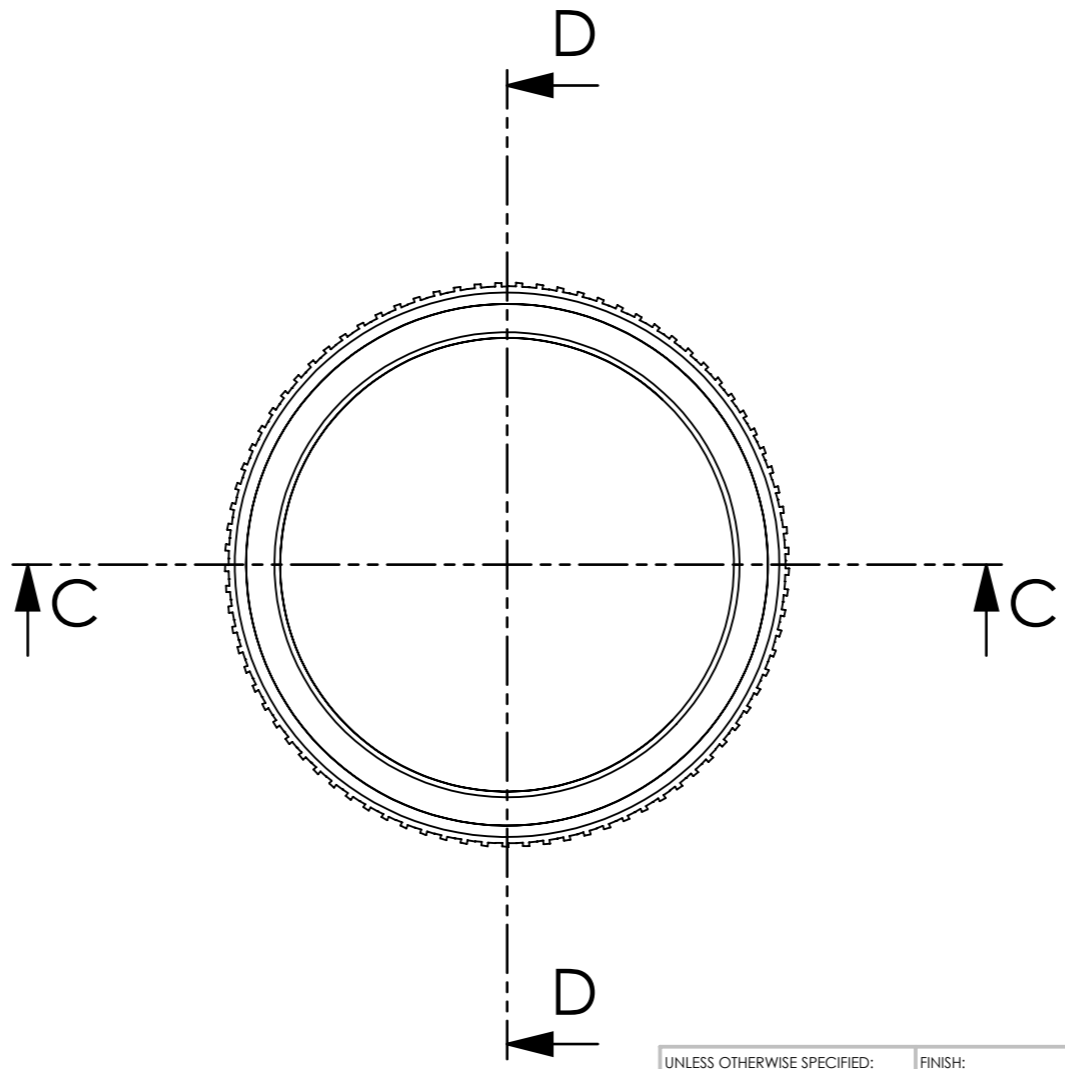


SECTION C-C
SCALE 3:1

ASSEMBLY VIEW



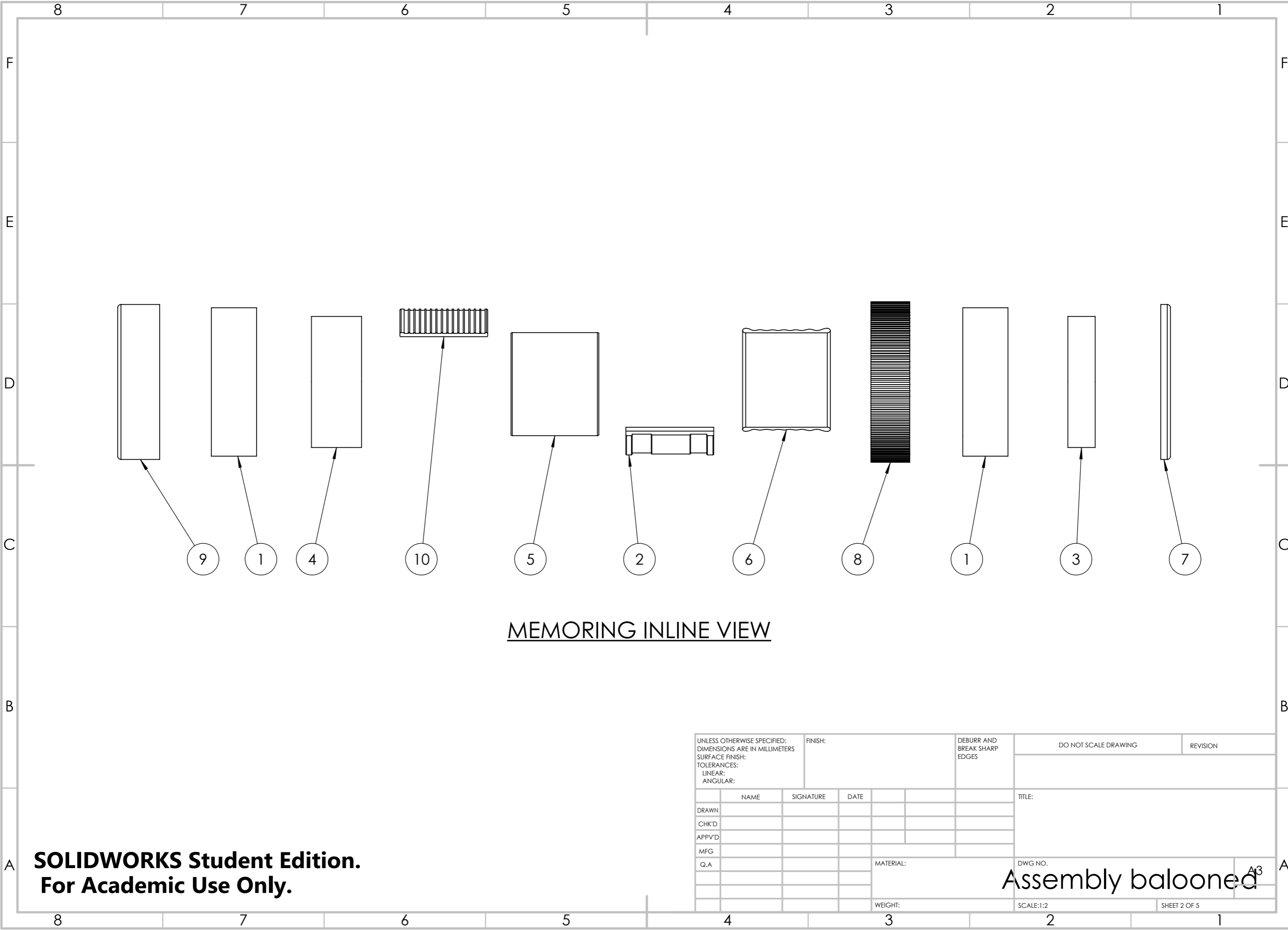
SECTION D-D
SCALE 3:1



UNLESS OTHERWISE SPECIFIED: DIMENSIONS ARE IN MILLIMETERS		FINISH:		DEBURR AND BREAK SHARP EDGES		DO NOT SCALE DRAWING		REVISION	
SURFACE FINISH:									
TOLERANCES:									
LINEAR:									
ANGULAR:									
DRAWN		NAME		SIGNATURE		DATE		TITLE:	
CHK'D									
APPV'D									
MFG									
Q.A						MATERIAL:		DWG NO.	
								Assembly ballooned	
						WEIGHT:		SCALE:2:1	
								SHEET 1 OF 5	

**SOLIDWORKS Student Edition.
For Academic Use Only.**

Assembly ballooned

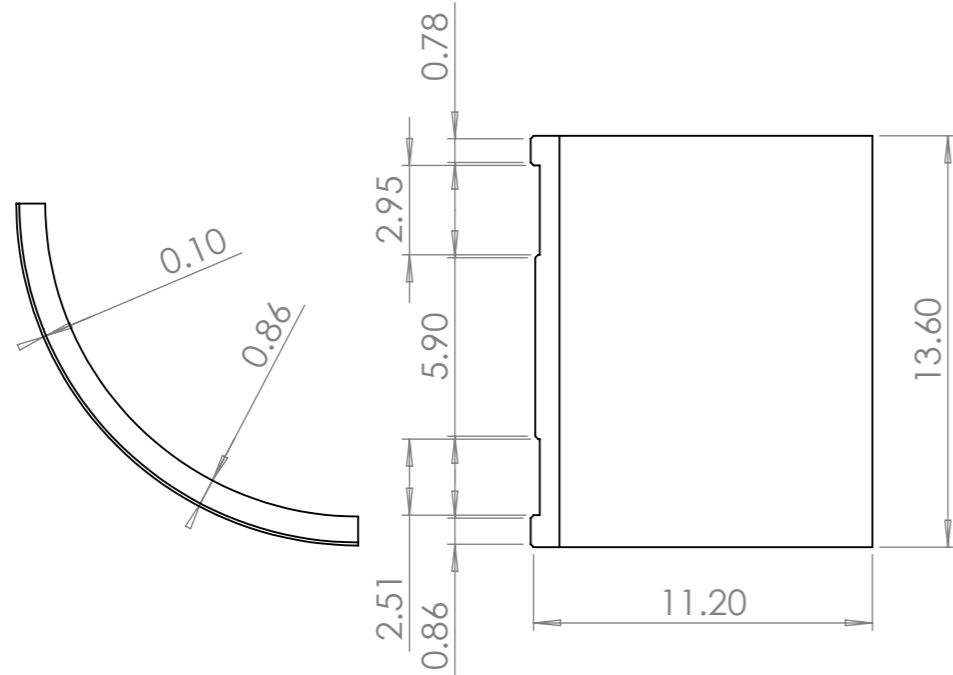


MEMORING INLINE VIEW

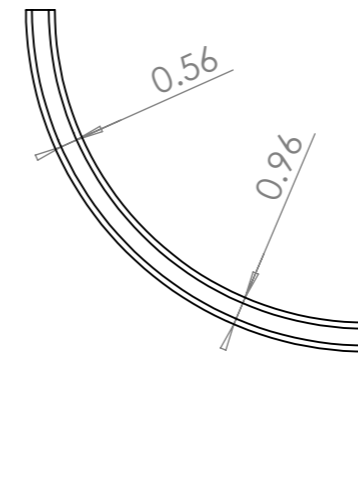
**SOLIDWORKS Student Edition.
For Academic Use Only.**

UNLESS OTHERWISE SPECIFIED: DIMENSIONS ARE IN MILLIMETERS SURFACE FINISH: TOLERANCES: LINEAR: ANGULAR:			FINISH:		DEBURR AND BREAK SHARP EDGES		DO NOT SCALE DRAWING		REVISION	
DRAWN			NAME		SIGNATURE		DATE		TITLE:	
CHK'D										
APPV'D										
MFG										
Q.A							MATERIAL:		DWG NO.	
									Assembly ballooned	
							WEIGHT:		SCALE:1:2	
									SHEET 2 OF 5	

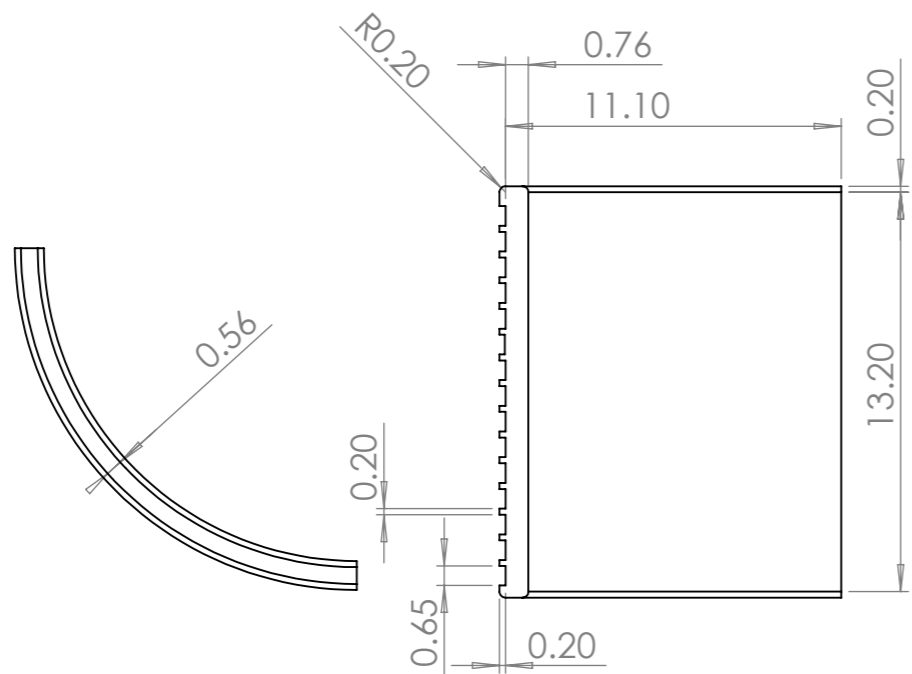
A3



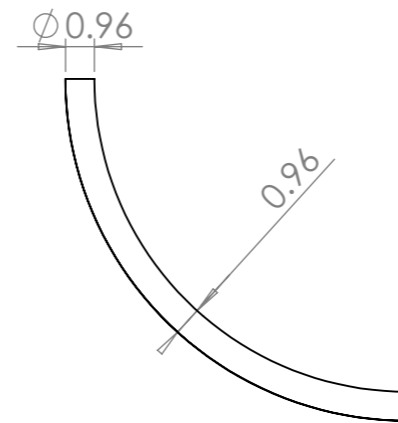
2. ACCELEROMETER



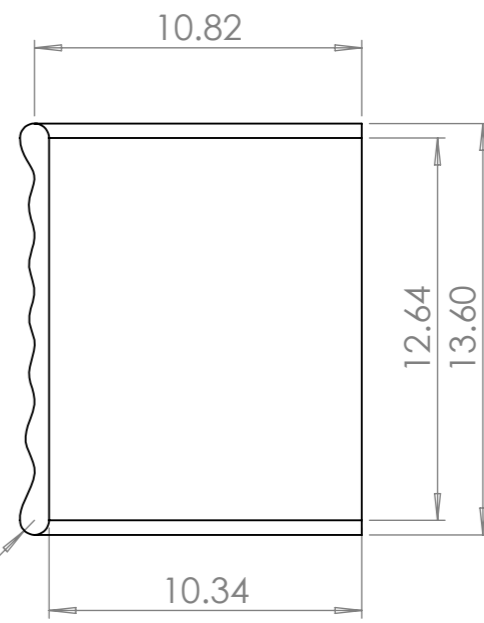
5. BATTERY



10. PROCESSOR

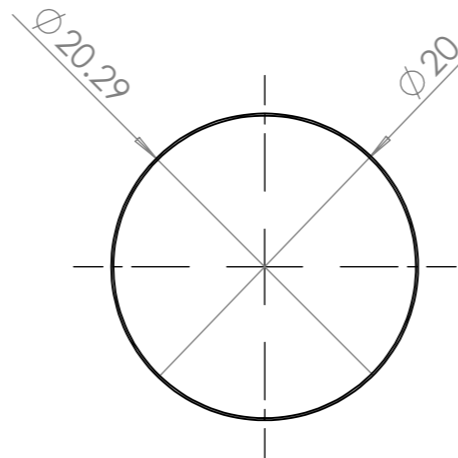
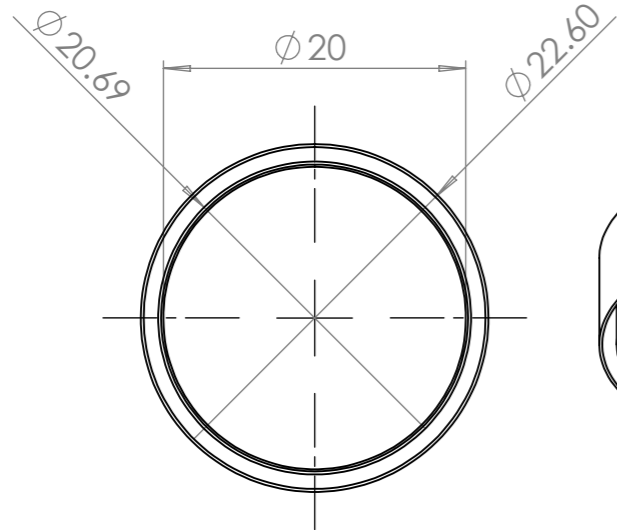
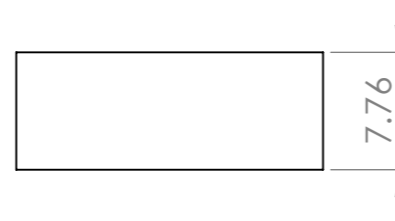
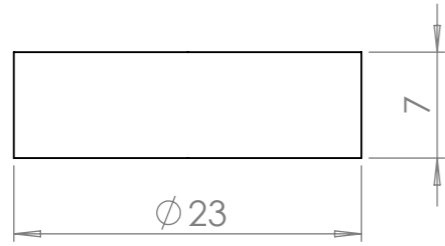


6. VIBRATION MOTOR



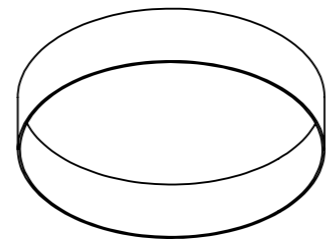
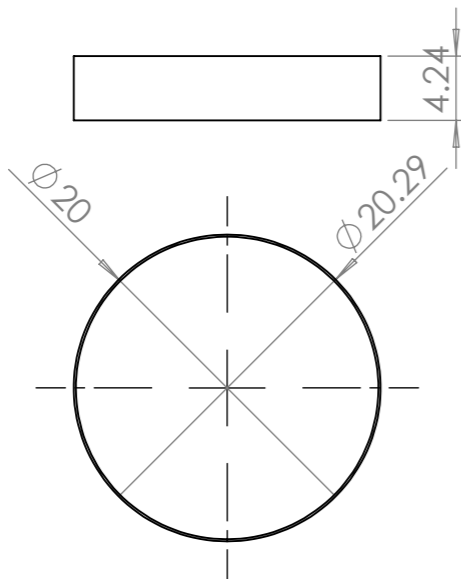
**SOLIDWORKS Student Edition.
For Academic Use Only.**

UNLESS OTHERWISE SPECIFIED: DIMENSIONS ARE IN MILLIMETERS SURFACE FINISH: TOLERANCES: LINEAR: ANGULAR:			FINISH:		DEBURR AND BREAK SHARP EDGES		DO NOT SCALE DRAWING		REVISION		
DRAWN						TITLE:					
CHK'D											
APPV'D											
MFG											
Q.A						MATERIAL:		DWG NO.		A3	
						WEIGHT:		SCALE:5:1		SHEET 3 OF 5	
						Assembly ballooned					



1. OUTER RING

4. INDUCTION CHARGING PLATE

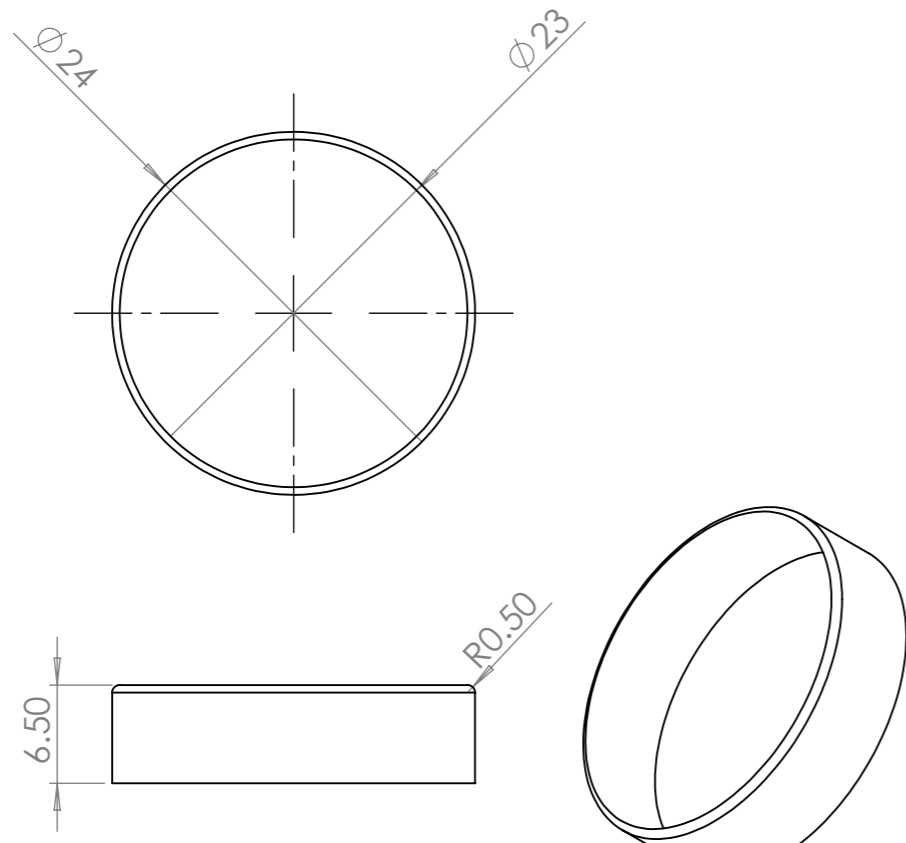


3. HEAT SENSOR

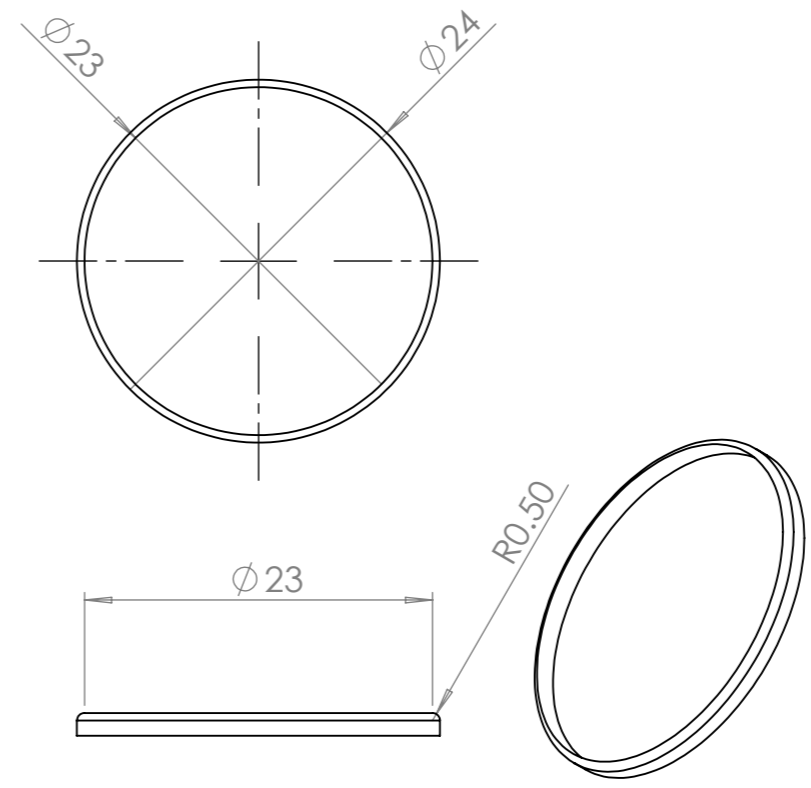
**SOLIDWORKS Student Edition.
For Academic Use Only.**

UNLESS OTHERWISE SPECIFIED: DIMENSIONS ARE IN MILLIMETERS		FINISH:		DEBURR AND BREAK SHARP EDGES		DO NOT SCALE DRAWING		REVISION	
SURFACE FINISH:									
TOLERANCES:									
LINEAR:									
ANGULAR:									
DRAWN		NAME		SIGNATURE		DATE		TITLE:	
CHK'D									
APPV'D									
MFG									
Q.A						MATERIAL:		DWG NO.	
								Assembly ballooned	
						WEIGHT:		SCALE:1:2	
								SHEET 4 OF 5	

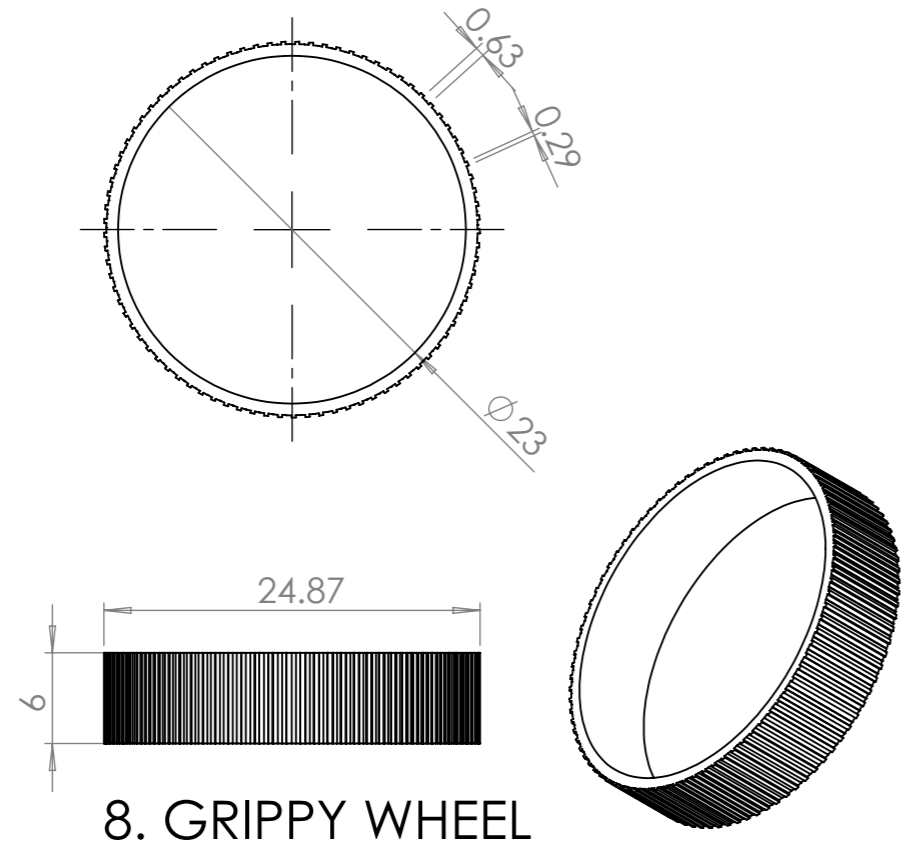
A3



**9. FIXED RING
LARGE**



**7. FIXED RING
SMALL**



8. GRIPPY WHEEL

**SOLIDWORKS Student Edition.
For Academic Use Only.**

UNLESS OTHERWISE SPECIFIED: DIMENSIONS ARE IN MILLIMETERS		FINISH:		DEBURR AND BREAK SHARP EDGES		DO NOT SCALE DRAWING		REVISION	
SURFACE FINISH:									
TOLERANCES:									
LINEAR:									
ANGULAR:									
DRAWN		NAME	SIGNATURE	DATE			TITLE:		
CHK'D									
APPV'D									
MFG									
Q.A					MATERIAL:	DWG NO.		A3	
						SCALE:1:2		SHEET 5 OF 5	
					WEIGHT:			Assembly ballooned	